

D1319(M)-T220L-1.5

Acousto-Optic Deflector



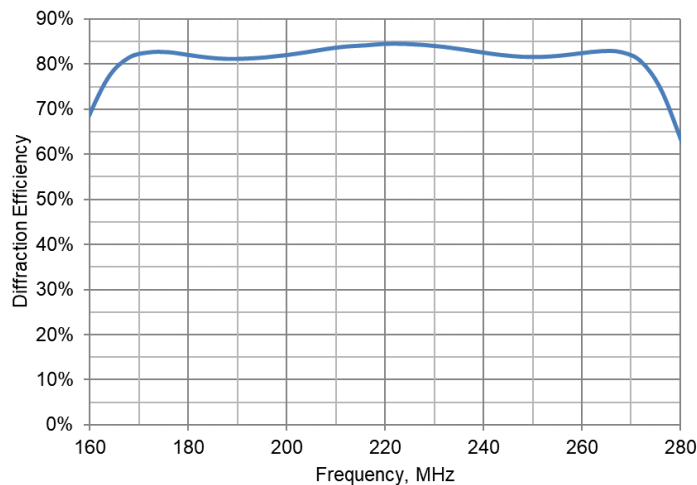
5022

The D1319 is an AO deflector designed for operation in the deep blue spectrum. The deflector incorporates two section acoustic beam steering to produce an efficient uniform scan response. Applications include high speed, multi-point or continuous beam scanning.

SPECIFICATIONS

| | | |
|----------------------------|---------------------------------------|--------------|
| Spectral Range: | 0.36 > 1.5 μ m | |
| Operating A/R Wavelengths: | 390-440 nm | |
| Optical Power: | 5 Watts ** | |
| Interaction Medium: | Tellurium Dioxide (TeO ₂) | |
| Acoustic Velocity: | 4.2mm/ μ s | |
| Centre Frequency (Fc): | 220MHz (+/- 10% for best sweep) | |
| RF Bandwidth: | >85MHz, 100MHz typical | |
| Input Impedance: | 50 Ω Nominal | |
| VSWR: | <2:1 @ Fc | |
| Clear Aperture: | 2mm | |
| Active Aperture Height: | 1.5mm | |
| Static Insertion Loss | <3% at 0.4 μ m | |
| Reflectivity: | < 0.5%/surface | |
| Laser Polarization: | Vertical preferred | |
| RF Power : | < 1 Watts total. | |
| Bragg Angle: | 399nm | 411nm |
| | 10.45mrad | 10.76mrad |
| Scan Angle, 92MHz sweep: | 8.75mrad | 9.00mrad |

ESTIMATED SCAN PERFORMANCE at 399nm *

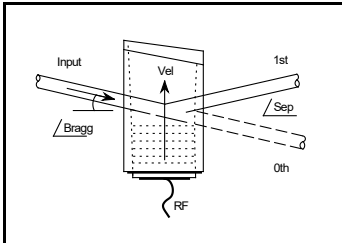


* Single mode input

** For higher powers please contact Isomet

ALL SPECIFICATIONS SUBJECT TO CHANGE WITHOUT NOTICE
 ISOMET CORP, 10342 Battlevue Parkway, Manassas, VA 20109, USA.
 Tel: (703) 321 8301 Fax: (703) 321 8546
 E-mail: ISOMET@ISOMET.COM Web Page: WWW.ISOMET.COM

Quality Assured.
In-house: Crystal Growth,
Optical Polishing,
A/R coating, Vacuum Bonding



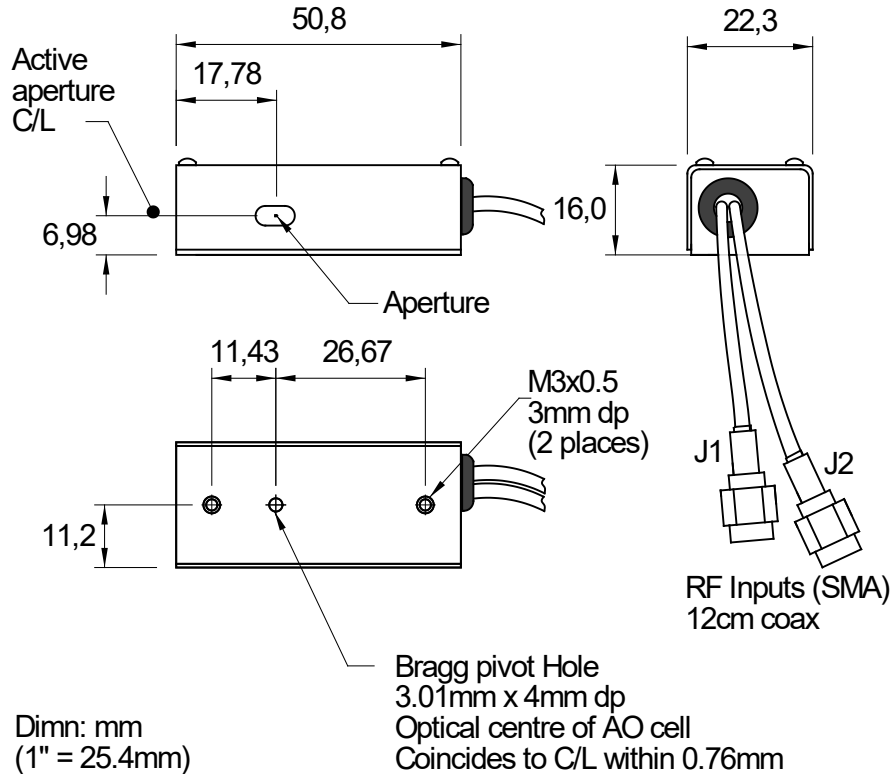
D1319(M)-T220L-1.5

Acousto-Optic Deflector



5022

OUTLINE DRAWING



RF DRIVERS

Isomet Synthesizer: iMS2-HF + (2x) AF0-200T-1-1 amplifiers.

External freq' source: BSM1319-220 splitter/delay module + (2x) AF0-200T-1-1 amplifiers.

ALL SPECIFICATIONS SUBJECT TO CHANGE WITHOUT NOTICE
 ISOMET CORP, 10342 Battlevue Parkway, Manassas, VA 20109, USA.
 Tel: (703) 321 8301 Fax: (703) 321 8546
 E-mail: ISOMET@ISOMET.COM Web Page: WWW.ISOMET.COM

Quality Assured.
 In-house: Crystal Growth,
 Optical Polishing,
 A/R coating, Vacuum Bonding